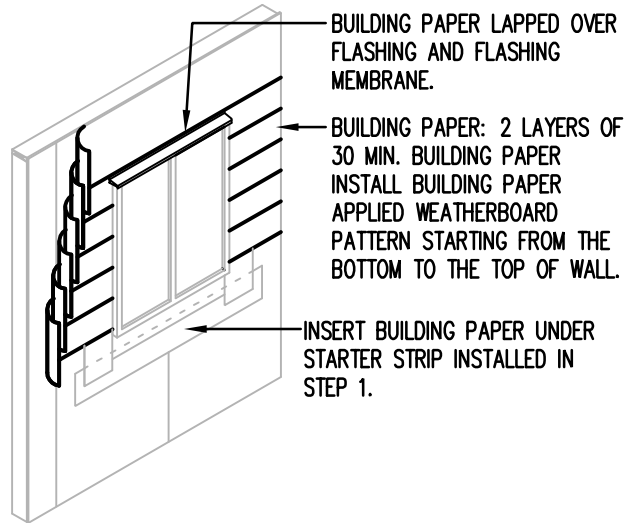


8 INSTALLATION OF HEAD FLASHING

B-003 SCALE: N.T.S.

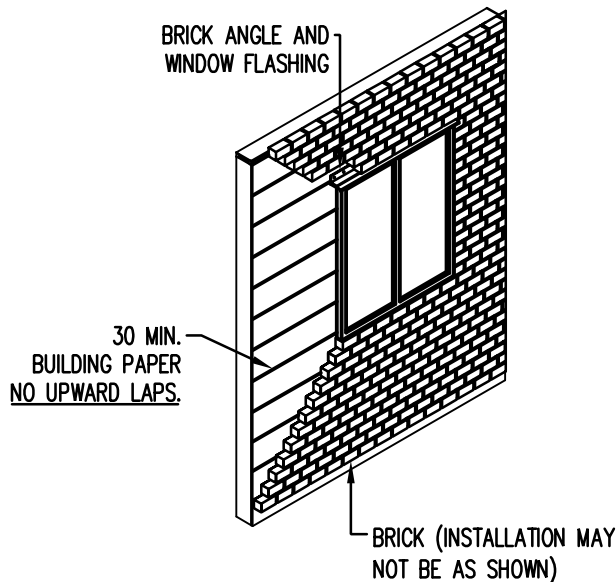


NOTES:

1. SEAL ROUGH OPENING GAP WITH LOW-EXPANSION SPRAYFOAM INSULATION.

9 INSTALLATION OF BUILDING PAPER

B-003 SCALE: N.T.S.



10 FULL WALL DETAIL

B-003 SCALE: N.T.S.

GENERAL NOTES:

1. THIS NOTE APPLIES TO ALL NEW PEEL & STICK MEMBRANE INSTALLATIONS, AS WELL AS REPAIRS TO EXISTING PEEL & STICK MEMBRANE.
2. WHEN PEEL & STICK MEMBRANE IS BEING INSTALLED IN COLD WEATHER, IT IS IMPERATIVE THAT THE SUBSTRATE IS DRY, FREE OF ICE AND DEBRIS, AND THAT THE MEMBRANE IS HEATED AND ROLLED TO ENSURE A TENACIOUS BOND TO THE PRIMER AND SUBSTRATE.
3. ANY SURFACE RECEIVING THE PEEL & STICK MEMBRANE, INCLUDING MEMBRANE TO SUBSTRATE AND MEMBRANE TO MEMBRANE APPLICATIONS, IS TO HAVE A SUFFICIENT AMOUNT OF PRIMER APPLIED. ALLOW PRIMER TO FLASH PRIOR TO MEMBRANE INSTALLATION.
4. PRIMER IS TO BE APPLIED THE SAME DAY AS THE MEMBRANE; IF LEFT OVERNIGHT, THE SUBSTRATE IS TO BE RE-PRIMED.
5. ALL HORIZONTAL MEMBRANE LAPS ARE TO BE AT LEAST 4" AND ALL VERTICAL MEMBRANE LAPS ARE TO BE A MINIMUM OF 6". ALL UNAVOIDABLE REVERSE LAPS ARE TO HAVE MASTIC APPLIED TO THE TOP EDGES, AS WELL AS THE SIDE EDGES IF THE LAP IS LESS THAN 4" ON EITHER SIDE.
6. ANY DAMAGED MEMBRANE NEEDS TO BE ADEQUATELY REPAIRED AND RE-INSPECTED PRIOR TO BEING COVERED BY ANY FINISH.
7. ALL GAPS LARGER THAN 1/2" (12.7 mm) THAT ARE TO BE COVERED WITH MEMBRANE ARE TO HAVE SUPPORTING MATERIAL (WOOD, DRYWALL, METAL) BEHIND. THIS WILL ALLOW FOR LAPS TO BE PROPERLY COMPRESSED AND SEALED.

CALGARY OFFICE
N195 - 3015 5 Avenue NE
Calgary, AB T2A 6T8

Bus: (403) 263-2393
Toll Free: 1-800-263-2393
Fax: (403) 262-9075

info@williamsengineering.com
www.williamsengineering.com

THIS DRAWING IS NOT TO BE SCALED.

WILLIAMS
ENGINEERING
CANADA



JOB. TITLE:

WINDOW INSTALLATION
PROCEDURE DETAILS

DWG. TITLE:

WINDOW INSTALLATION
PROCEDURE DETAILS
PAGE 3

DWN. BY:	DES. BY:	PROJ. MGR.:
CN	RS	--
PEER REVIEW:	DATE: (YY-MM-DD)	SCALE:
RS	2011.02.14	N.T.S.
CLIENT PROJ. #	WE PROJ. #	OF 3 REV #
--	--	3 A
DWG # SKETCH-A-B-003		